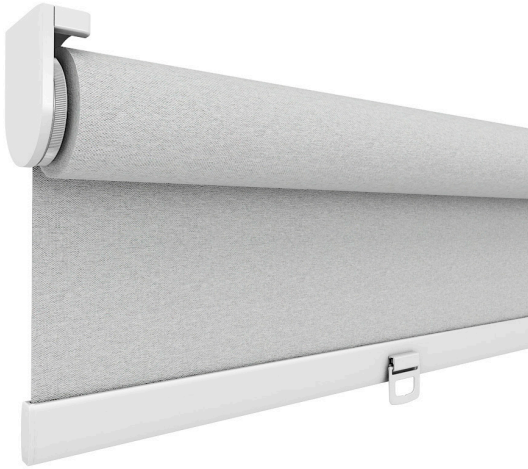
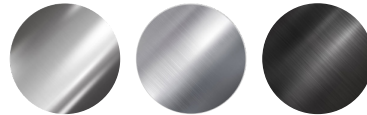


BRACKET ROLLER BLIND WITH SPRING MECHANISM

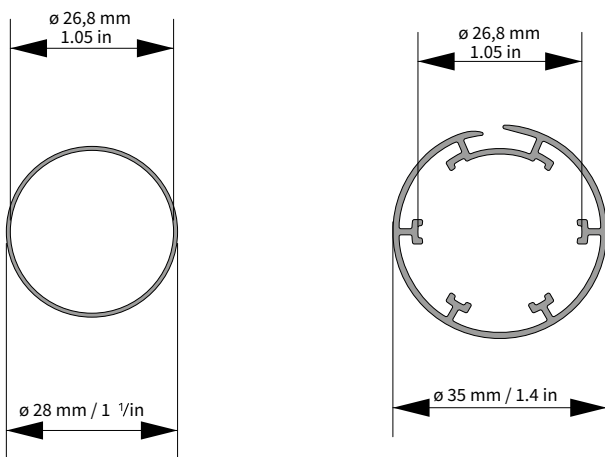
PLASTIC HARDWARE COLOURS:



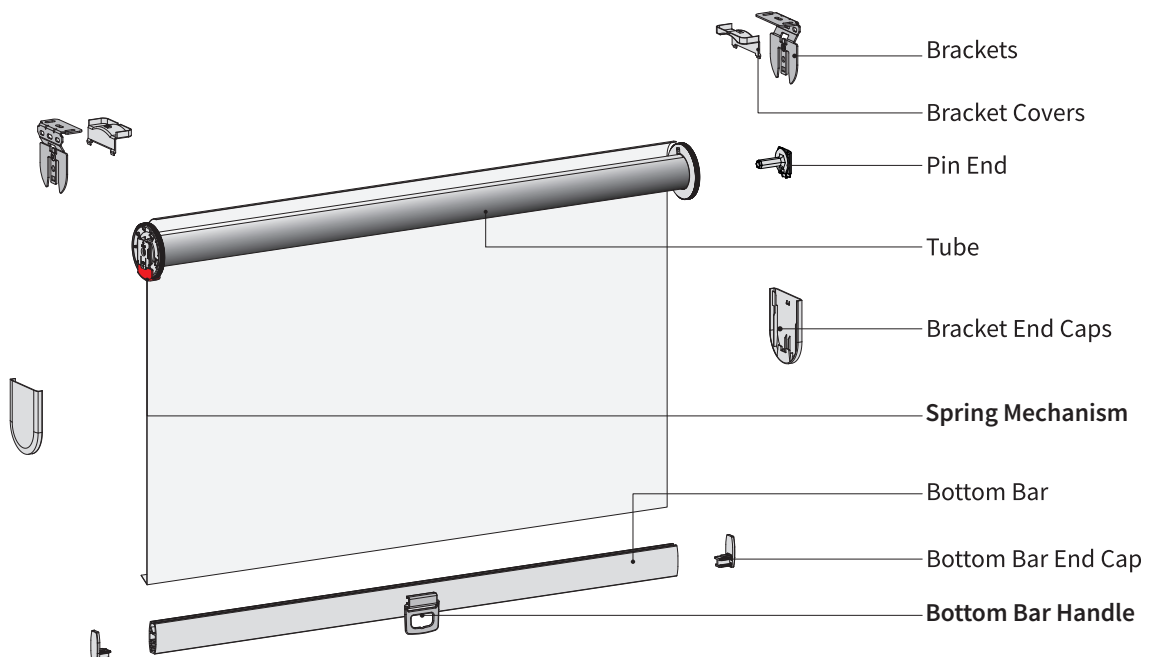
METAL HARDWARE COLOURS:



TUBE SIZES AVAILABLE:



EXPLODED DIAGRAM:



SYSTEM MEASUREMENTS:

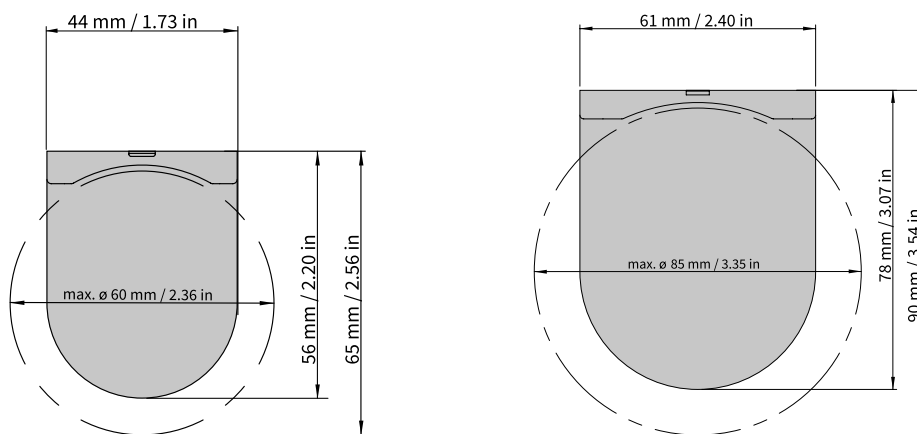
| | 300 | 400 | 500 | 600 | 700 | 800 | 900 | 1000 | 1100 | 1200 | 1300 | 1400 | 1500 | 1600 | 1700 | 1800 | 1900 | 2000 | 2100 | 2200 | 2300 |
|------|-----|-----|-----|-----|-----|-----|-----|------|------|------|------|------|------|------|------|------|------|------|------|------|------|
| 300 | N/A | N/A | N/A | N/A | 1 | 1 | 1 | 1 | 1 | 1 | 1 | 1 | 1 | 1 | 1 | 1 | 1 | 2 | 2 | 2 | 2 |
| 400 | N/A | N/A | N/A | N/A | 1 | 1 | 1 | 1 | 1 | 1 | 1 | 1 | 1 | 1 | 1 | 1 | 1 | 2 | 2 | 2 | 2 |
| 500 | N/A | N/A | N/A | N/A | 1 | 1 | 1 | 1 | 1 | 1 | 1 | 1 | 1 | 1 | 1 | 1 | 1 | 2 | 2 | 2 | 2 |
| 600 | N/A | N/A | N/A | N/A | 1 | 1 | 1 | 1 | 1 | 1 | 1 | 1 | 1 | 1 | 1 | 1 | 1 | 2 | 2 | 2 | 2 |
| 700 | N/A | N/A | N/A | N/A | 1 | 1 | 1 | 1 | 1 | 1 | 1 | 1 | 1 | 1 | 1 | 1 | 1 | 2 | 2 | 2 | 2 |
| 800 | N/A | N/A | N/A | N/A | 1 | 1 | 1 | 1 | 1 | 1 | 1 | 1 | 1 | 1 | 1 | 1 | 1 | 2 | 2 | 2 | 2 |
| 900 | N/A | N/A | N/A | N/A | 1 | 1 | 1 | 1 | 1 | 1 | 1 | 1 | 1 | 1 | 1 | 1 | 1 | 2 | 2 | 2 | 2 |
| 1000 | N/A | N/A | N/A | N/A | 1 | 1 | 1 | 1 | 1 | 1 | 1 | 1 | 1 | 1 | 1 | 1 | 1 | 2 | 2 | 2 | 2 |
| 1100 | N/A | N/A | N/A | N/A | 1 | 1 | 1 | 1 | 1 | 1 | 1 | 1 | 1 | 1 | 1 | 1 | 1 | 2 | 2 | 2 | 2 |
| 1200 | N/A | N/A | N/A | N/A | 1 | 1 | 1 | 1 | 1 | 1 | 1 | 1 | 1 | 1 | 1 | 1 | 1 | 2 | 2 | 2 | 2 |
| 1300 | N/A | N/A | N/A | N/A | 1 | 1 | 1 | 1 | 1 | 1 | 1 | 1 | 1 | 1 | 1 | 1 | 1 | 2 | 2 | 2 | 2 |
| 1400 | N/A | N/A | N/A | N/A | 1 | 1 | 1 | 1 | 1 | 1 | 1 | 1 | 1 | 1 | 1 | 1 | 1 | 2 | 2 | 2 | 2 |
| 1500 | N/A | N/A | N/A | N/A | 1 | 1 | 1 | 1 | 1 | 1 | 1 | 1 | 1 | 1 | 1 | 1 | 2 | 2 | 2 | 2 | 2 |
| 1600 | N/A | N/A | N/A | N/A | 1 | 1 | 1 | 1 | 1 | 1 | 1 | 1 | 1 | 1 | 1 | 1 | 2 | 2 | 2 | 2 | 2 |
| 1700 | N/A | N/A | N/A | N/A | 1 | 1 | 1 | 1 | 1 | 1 | 1 | 1 | 1 | 1 | 1 | 1 | 2 | 2 | 2 | 2 | 2 |
| 1800 | N/A | N/A | N/A | N/A | 1 | 1 | 1 | 1 | 1 | 1 | 1 | 1 | 1 | 1 | 1 | 1 | 2 | 2 | 2 | 2 | 2 |
| 1900 | N/A | N/A | N/A | N/A | 1 | 1 | 1 | 1 | 1 | 1 | 1 | 1 | 1 | 1 | 1 | 1 | 2 | 2 | 2 | 2 | 2 |
| 2000 | N/A | N/A | N/A | N/A | 1 | 1 | 1 | 1 | 1 | 1 | 1 | 1 | 1 | 1 | 1 | 1 | 2 | 2 | 2 | 2 | 2 |
| 2100 | N/A | N/A | N/A | N/A | 1 | 1 | 1 | 1 | 1 | 1 | 1 | 1 | 1 | 1 | 1 | 2 | 2 | 2 | 2 | 2 | 2 |
| 2200 | N/A | N/A | N/A | N/A | 1 | 1 | 1 | 1 | 1 | 1 | 1 | 1 | 1 | 1 | 1 | 2 | 2 | 2 | 2 | 2 | 2 |
| 2300 | N/A | N/A | N/A | N/A | 1 | 1 | 1 | 1 | 1 | 1 | 1 | 1 | 1 | 1 | 1 | 2 | 2 | 2 | 2 | 2 | 2 |

1 S system, 28mm tube

2 S system, 35mm tube

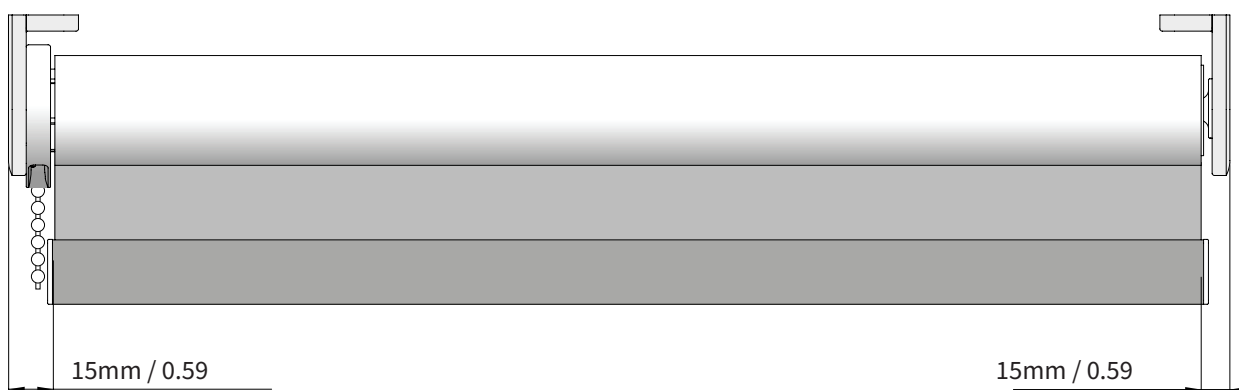
N/A Size not possible due to system limitation

BRACKET SIZE:

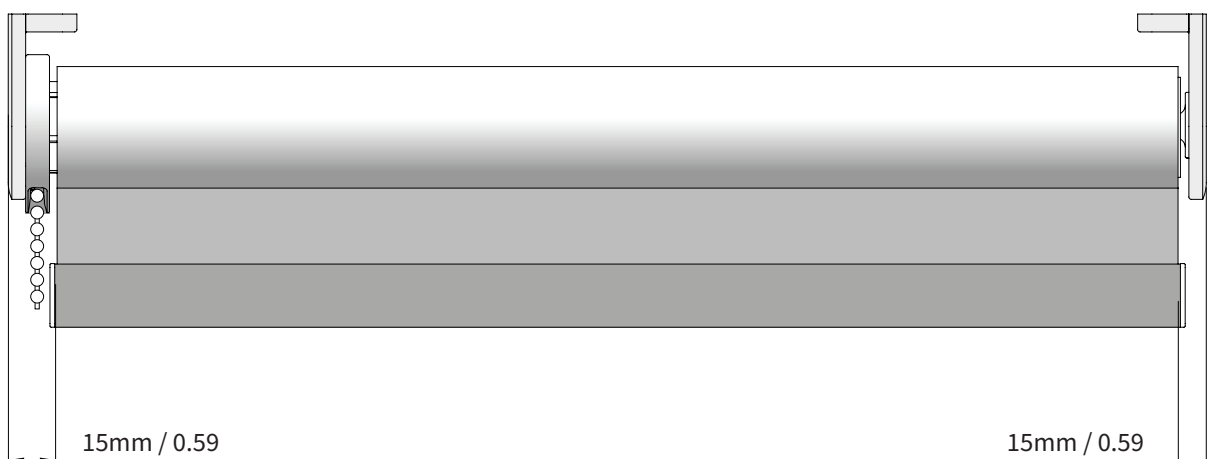


LIGHT GAP DIMENSIONS:

Small Systems



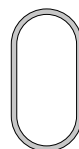
Medium Systems



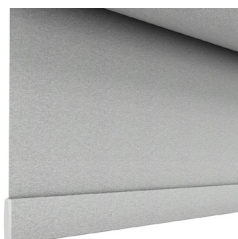
BOTTOM BAR OPTIONS:



Stitched Heavyweight



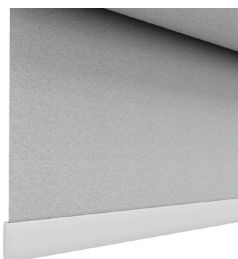
Width: 10mm
Height: 20mm



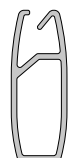
Wrapped



Width: 15mm
Height: 30mm



Exposed Flat



Width: 10mm
Height: 27mm

TUBE OVERVIEW:

| | Outer Diameter | Max. Width fabric | Max. Width Screen | Max. Weight fabric + bottom rail (kg) |
|---|----------------|-------------------|-------------------|---------------------------------------|
| S | 28 | 2m | | 1.8kg |
| | 35 | 2.3m | 2m | 2.2kg |

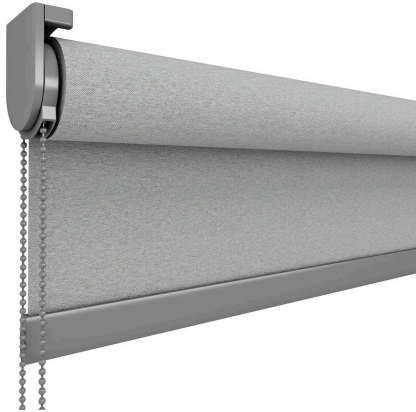
SPRING MAX LOAD:

| Size | Gear | Tube Size (mm) | Max Load (kg) |
|------|--------|----------------|---------------|
| S | RC2058 | 28 | 1.2 |
| | | 35 | |
| | RC2059 | 28 | 2.7 |
| | | 35 | |

PRODUCT CHARACTERISTICS:

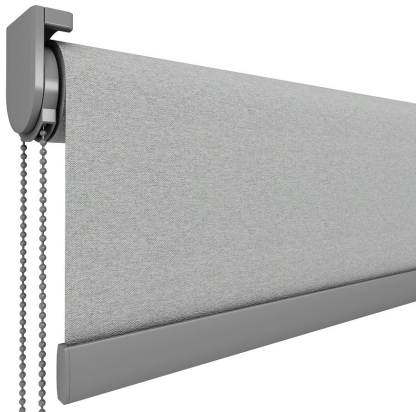
The width of the blind must be narrower than the width of the recess to provide for operating clearance. If there are obstructions in the recess, such as base tiles or a dado rail, the blind must be measured to suit the narrowest width. Due to the nature of the product, there will be some light gaps around the blind to accommodate the system, such as brackets. The diagram below can help you reduce the amount of light passing through the gaps. It is something to consider when evaluating the functionality and aesthetics of the blind.

REVERSE ROLL



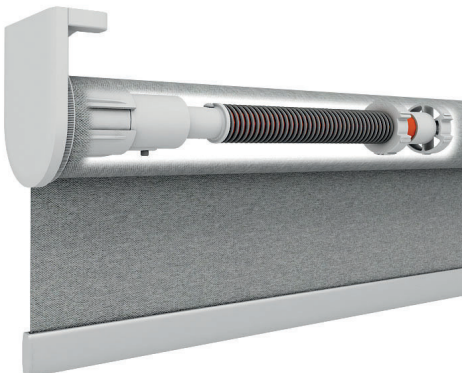
The reverse roll option is closer to the window and is a suitable choice for blackout fabric because it reduces the amount of light that enters the room. Please keep in mind that if you choose this option with blackout white backed fabrics, the white coating will be visible on the top of the blind.

FORWARD ROLL



The forward roll option is further away from the window and is a common choice if you do not want the fabric coating to be seen. However, because it is not as close to the window as the reverse roll, you may notice that slightly more light enters the room.

RETRACTABLE MECHANISM



The Spring Roller features a smooth and reliable retractable mechanism, enabling effortless rolling and unrolling of the fabric. Users can easily adjust the height, length, or tension according to their requirements, providing flexibility and convenience.

SAFE BY DESIGN:



“Safe by design” refers to an approach in which products or systems are designed to prioritise safety from the outset. It involves considering safety aspects during the design, development, and manufacturing stages, in order to minimise or eliminate potential hazards or risks.

Our Elements Spring Roller has no dangerous cords or chains, making it completely child safe. This design provides a secure environment for children.